

## 4-Installing your wine cabinet

- When you receive your cabinet, make sure when you unpack it there is no defect in its external appearance (from shocks, deformation, etc.).
- Open the door and check to see that the inside is complete (walls, shelves, hinges, control panel, etc.)
- If you wish to install your cabinet under a worktop, you will need to remove the top plate which is fixed from underneath by two front screws in the hinges and two screws behind in the angle brackets, keep the two front screws if you wish to encase the unit under a worktop so as to fix it to the existing worktop (see diagrams page 4)
- Now carry the cabinet to where you want to install it. Make sure the place selected is:
  - away from any source of heat
  - not too damp (laundry room, utility room, bathroom, etc.)
  - on a stable level surface
  - equipped with a power point (standard socket, rated voltage, 16A, connected to earth.)
- Make sure the On/Off switch (I/O) located on the right of the control panel is in the off position (O).
- Take out the mains lead and connect it as shown in section 3. Check the power point supply (fuses in, fuse amperage, circuit breaker working, You can if you wish use another appliance to check the power supply.)
- Adjust the four feet underneath the cabinet (screwing them up or unscrewing them) so that your cabinet is level (it is advisable to use a spirit level).
- Slide the cabinet into its final position, leaving a space of between 2 and 6 cm between the walls and the rear wall of the cabinet, for installation under a worktop (Model 103) fixes the cabinet to the worktop using two screws in the top hinges (see diagram below) .
- Do not obstruct the front ventilation grille.
- Make ventilation hole (flush-mounted grille) in the worktop (see diagram 4 below)
- Remove the protective materials from the inside of the cabinet.
- Remove the protective paper from the charcoal filter that you will find in the accessories pack, from inside the cabinet (position the fitter 0 the round box located in the top left of the cabinet.
- Arrange the shelves to suit your convenience (see section 6.)
- Wait 48 hours before switching the cabinet on so as to allow the fluids to settle.

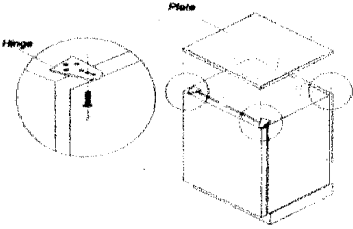
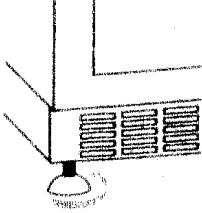
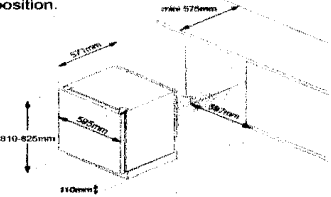
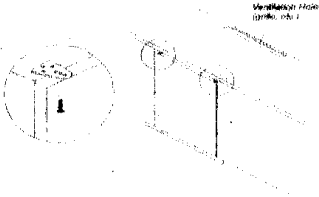
NB: If ever you need to move the cabinet, do not tilt it at an angle of more than 45°, and

always on the side where the lead comes out.

The appliance must be positioned so that the plug is accessible.

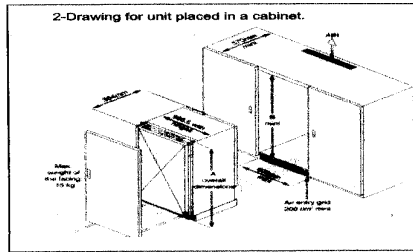
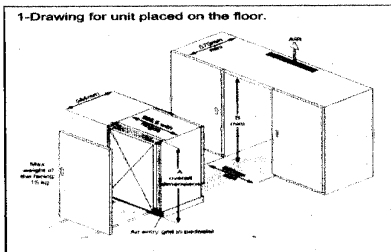
## 4-Installing your wine cabinet (continue)

### 103:Installation Diagram

<p>1-Remove the plate by unscrewing the 2 screws located under the 2 hinges (door open) and the 2 screws behind in the angle brackets.</p>	<p>2-Adjust the 4 feet.</p>
	
<p>position.</p> 	<p>4- Screw the 2 screws through the hinges and into</p> 

### INSTALLING A UNIT WITH A TECHNICAL DOOR

- 1) Level the unit inside the cabinet.
- 2) Open the door of the unit at a 90° angle.
- 3) Fix the facing of the kitchen cabinet on the door of the unit (8 screws included).
- 4) Be sure the gasket seals properly.



Models	A mini (mm)		B mini (mm)	Note:
	Feet screwed in	Feet unscrewed		
J103 (50 bottle)	810	825		<b>Note:</b> A=Body + Pedestal (90mm) = Feet (20~35mm)
J188 (100 bottle)	1210	1225	1215	
	1610	1625	1615	